

Type : **L-TIVOLI**

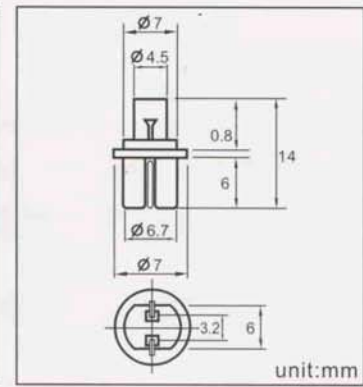
Characters :

Epoxy Lens Color:Water Clear.Frosted.

Color : Red. Green. Blue. Amber. White.

Dia. & Length : T7*14mm.
Base : T.V-6.7

Bulb Shape : Single- Dome
Flat
For : Aircraft. Courtesy.
Indicator. Toy



unit:mm

Part Number and Description

Part Number	Diameter Length	Color	Volts	Base	Current (mA)±10%	Wave length(nm)	Lumens (lm)±20%	Life time(h)	Viewing Angle
LT7TV-RF-01D	T7x14mm	Red	DC 6V	T.V-6.7	17mA	620-630	0.8lm	30K(h)	60°
LT7TV-RF-02D	T7x14mm	Red	DC 12V	T.V-6.7	17mA	620-630	0.8lm	30K(h)	60°
LT7TV-RF-03D	T7x14mm	Red	DC 24V	T.V-6.7	17mA	620-630	0.8lm	30K(h)	60°
LT7TV-RF-04D	T7x14mm	Red	DC 28V	T.V-6.7	18mA	620-630	0.8lm	30K(h)	60°
LT7TV-GF-01D	T7x14mm	Green	DC 6V	T.V-6.7	17mA	515-525	1.8lm	30K(h)	60°
LT7TV-GF-02D	T7x14mm	Green	DC 12V	T.V-6.7	16mA	515-525	1.8lm	30K(h)	60°
LT7TV-GF-03D	T7x14mm	Green	DC 24V	T.V-6.7	17mA	515-525	1.8lm	30K(h)	60°
LT7TV-GF-04D	T7x14mm	Green	DC 28V	T.V-6.7	18mA	515-525	1.8lm	30K(h)	60°
LT7TV-BF-01D	T7x14mm	Blue	DC 6V	T.V-6.7	17mA	465-475	0.3lm	30K(h)	60°
LT7TV-BF-02D	T7x14mm	Blue	DC 12V	T.V-6.7	17mA	465-475	0.3lm	30K(h)	60°
LT7TV-BF-03D	T7x14mm	Blue	DC 24V	T.V-6.7	17mA	465-475	0.3lm	30K(h)	60°
LT7TV-BF-04D	T7x14mm	Blue	DC 28V	T.V-6.7	18mA	465-475	0.3lm	30K(h)	60°
LT7TV-AF-01D	T7x14mm	Amber	DC 6V	T.V-6.7	17mA	585-595	0.3lm	30K(h)	60°
LT7TV-AF-02D	T7x14mm	Amber	DC 12V	T.V-6.7	17mA	585-595	0.3lm	30K(h)	60°
LT7TV-AF-03D	T7x14mm	Amber	DC 24V	T.V-6.7	17mA	585-595	0.3lm	30K(h)	60°
LT7TV-AF-04D	T7x14mm	Amber	DC 28V	T.V-6.7	18mA	585-595	0.3lm	30K(h)	60°
LT7TV-WF-01D	T7x14mm	White	DC 6V	T.V-6.7	17mA	(K)5000-6000	2.1lm	30K(h)	60°
LT7TV-WF-02D	T7x14mm	White	DC 12V	T.V-6.7	16mA	(K)5000-6000	2.0lm	30K(h)	60°
LT7TV-WF-03D	T7x14mm	White	DC 24V	T.V-6.7	17mA	(K)5000-6000	2.1lm	30K(h)	60°
LT7TV-WF-04D	T7x14mm	White	DC 28V	T.V-6.7	18mA	(K)5000-6000	2.2lm	30K(h)	60°

Precautions in handling

- 1.Blue, Green, and White products are so sensitive to ESD that user's require to handle with care.
- 2.Customer designs are acceptable on the Lamp's M.O.L (Max of Length) Viewing Angle and/or Wave Length.

Package (Box)

- Bulk..... 100 Pcs/Box
- Bulk..... 20 Box/M.Carton
- Bulk..... 4000 Pcs/Carton

Package (Anti-Static Bag)