

Type: **L-T10W-SMD-3C**

Characters:

Epoxy Lens Color: Water Clear.Frosted.

Color: Red. Green. Blue. Amber. White.

Dia & Length:

T10*23mm

Base:

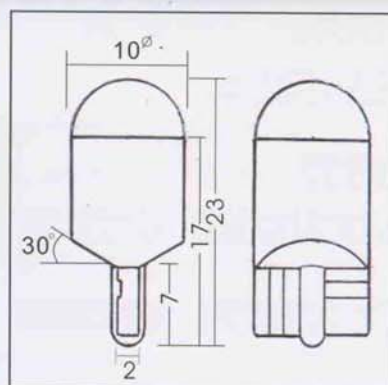
W2.1*9.5d

Bulb Shape :

3 chip Dome.

For:

Indicator. Auto .Instrument.
Signal.Map.Courtesy.



Part Number and Description

Part Number	Diameter Length	Color	Volts	Base	Design Current (mA)	Wave length(nm)	Lumens	Life time(h)	Viewing Angle
LT10W-R3CD-01D	T10*23mm	Red	DC 6V	W2.1*9.5d	24 ± 2mA	620-630	3lm	30K(h)	120°
LT10W-R3CD-02D	T10*23mm	Red	DC 12V	W2.1*9.5d	24 + 2mA	620-630	3lm	30K(h)	120°
LT10W-R3CD-03D	T10*23mm	Red	DC 24V	W2.1*9.5d	23 ± 2mA	620-630	3lm	30K(h)	120°
LT10W-R3CD-04D	T10*23mm	Red	DC 28V	W2.1*9.5d	24 ± 2mA	620-630	3lm	30K(h)	120°
LT10W-G3CD-01D	T10*23mm	Green	DC 6V	W2.1*9.5d	21 ± 2mA	515-525	9lm	30K(h)	120°
LT10W-G3CD-02D	T10*23mm	Green	DC 12V	W2.1*9.5d	21 + 2mA	515-525	9lm	30K(h)	120°
LT10W-G3CD-03D	T10*23mm	Green	DC 24V	W2.1*9.5d	21 ± 2mA	515-525	9lm	30K(h)	120°
LT10W-G3CD-04D	T10*23mm	Green	DC 28V	W2.1*9.5d	22 ± 2mA	515-525	9lm	30K(h)	120°
LT10W-B3CD-01D	T10*23mm	Blue	DC 6V	W2.1*9.5d	21 ± 2mA	465-475	3lm	30K(h)	120°
LT10W-B3CD-02D	T10*23mm	Blue	DC 12V	W2.1*9.5d	21 ± 2mA	465-475	3lm	30K(h)	120°
LT10W-B3CD-03D	T10*23mm	Blue	DC 24V	W2.1*9.5d	21 ± 2mA	465-475	3lm	30K(h)	120°
LT10W-B3CD-04D	T10*23mm	Blue	DC 28V	W2.1*9.5d	22 ± 2mA	465-475	3lm	30K(h)	120°
LT10W-A3CD-01D	T10*23mm	Amber	DC 6V	W2.1*9.5d	23 ± 2mA	590-600	1.8lm	30K(h)	120°
LT10W-A3CD-02D	T10*23mm	Amber	DC 12V	W2.1*9.5d	23 ± 2mA	590-600	1.8lm	30K(h)	120°
LT10W-A3CD-03D	T10*23mm	Amber	DC 24V	W2.1*9.5d	23 ± 2mA	590-600	1.8lm	30K(h)	120°
LT10W-A3CD-04D	T10*23mm	Amber	DC 28V	W2.1*9.5d	24 ± 2mA	590-600	1.8lm	30K(h)	120°
LT10W-W3CD-01D	T10*23mm	White	DC 6V	W2.1*9.5d	20 ± 2mA	(K)5000-6000	14lm	30K(h)	120°
LT10W-W3CD-02D	T10*23mm	White	DC 12V	W2.1*9.5d	20 + 2mA	(K)5000-6000	14lm	30K(h)	120°
LT10W-W3CD-03D	T10*23mm	White	DC 24V	W2.1*9.5d	20 ± 2mA	(K)5000-6000	14lm	30K(h)	120°
LT10W-W3CD-04D	T10*23mm	White	DC 28V	W2.1*9.5d	21 ± 2mA	(K)5000-6000	14lm	30K(h)	120°

Precautions in handling

- 1.Blue, Green, and White products are so sensitive to ESD that user's require to handle with care.
- 2.Customer designs are acceptable on the Lamp's M.O.L (Max of Length) Viewing Angle and/or Wave Length.

Package (Box)

- Bulk..... 100 Pcs/Box
- Bulk..... 20 Box/M.Carton
- Bulk..... 4000 Pcs/Carton