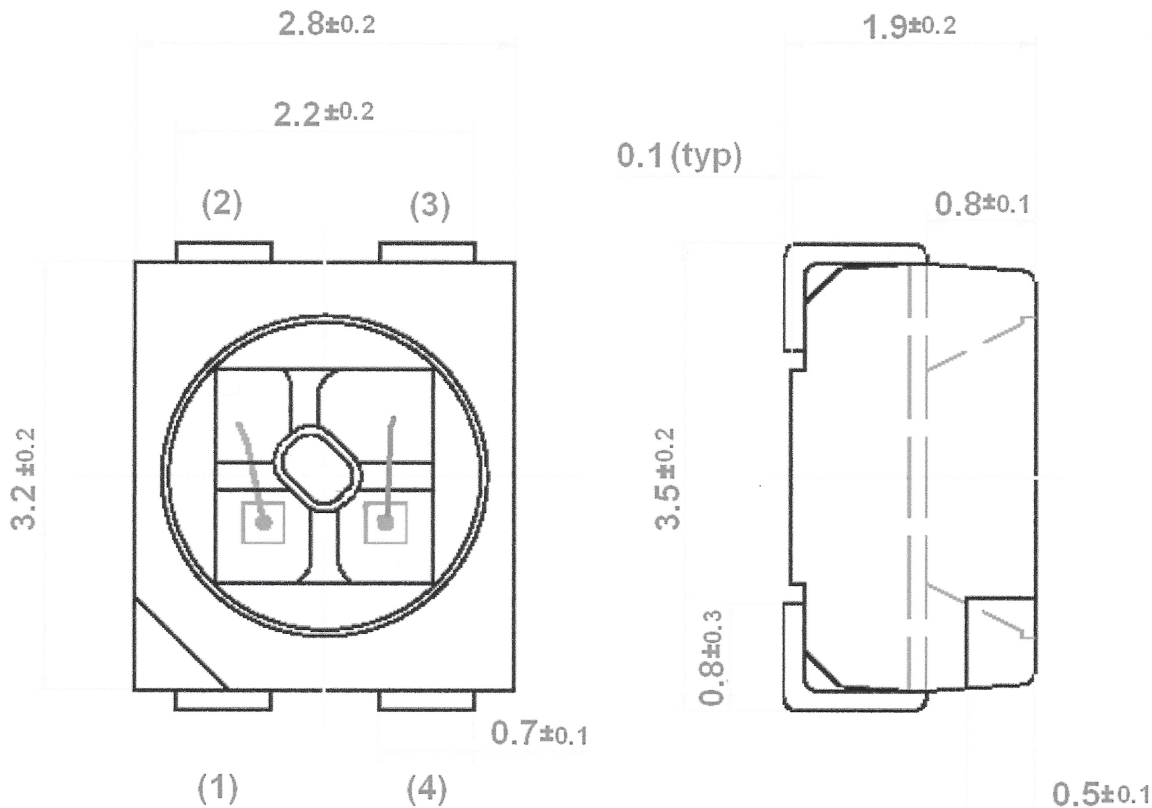


L955 Bi-Color RGB Top LED: 3.2 x 2.8 mm

Package Dimension :



Notes: Unit = mm [inch] , Tolerance = ± 0.25mm [± 0.01 inch]

Part Number	Chip		Luminous Intensity Range (mcd)	Forward Voltage Range(Vf)	Dominan Wavelength Range(nm)
	Color	Material			
L955UEUGC	Red	AllnGaP	112.5 – 285	1.55 – 2.45	620 – 630
	Green	AllnGaP	71.5 – 180	1.55 – 2.45	564 – 576
L955LILGC	Red	AllnGaP	45 – 112.5	1.55 – 2.45	625 – 640
	Green	AllnGaP	45 – 112.5	1.55 – 2.45	564 – 576
L955LILPGC	Red	AllnGaP	45 – 112.5	1.55 – 2.45	625 – 640
	True Green	InGaN	112.5 – 285	3.35 – 4.25	520 – 536
L955LIUYC	Red	AllnGaP	45 – 112.5	1.55 – 2.45	625 – 640
	Yellow	AllnGaP	112.5 – 285.0	1.55 – 2.45	582 – 594
L955UYLBC	Yellow	AllnGaP	112.5 – 285.0	1.55 – 2.45	582 – 594
	Blue	InGaN	45 – 112.5	3.35 – 4.25	464 – 476
L955UYLPGC	Yellow	AllnGaP	112.5 – 285.0	1.55 – 2.45	582 – 594
	True Green	InGaN	112.5 – 285	3.35 – 4.25	520 – 536
L955LYLGC	Yellow	AllnGaP	71.5 – 180	1.55 – 2.45	582 – 594
	Green	AllnGaP	45 – 112.5	1.55 – 2.45	564 – 576