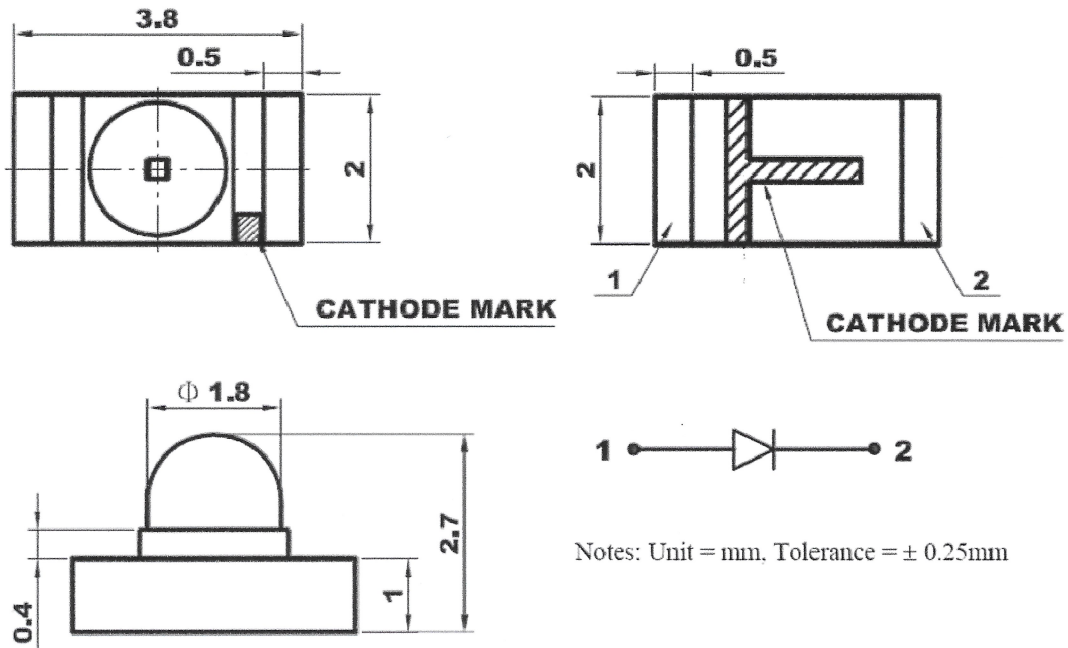


L163 DOME Lens: 3.8 x 2.0 x 2.7mm

Package Dimension :



Part Number	Chip		Lens Type (Resin)	Iv (mcd)		I _p (nm)
	Material	Emitted Color		Min.	Typ.	Peak Wavelength
L163GC-TR	GaP	Green	Water Clear	25	40	568
L163YC-TR	GaAsP	Yellow	Water Clear	18	40	589
L163EC-TR	GaAsP	Orange	Water Clear	25	40	630
L163SRC-TR	AlGaAs	Red	Water Clear	18	60	660
L163BC-TR	SiC	Blue	Water Clear	25	40	430
L163MBC-TR	SiC	Bright Blue	Water Clear	25	60	468
L163QBC-TR	GaN	Super Blue	Water Clear	90	150	470
L163QGC-TR	AlGalnP	Super Green	Water Clear	50	90	574
L163QYC-TR	AlGalnP	Super Yellow	Water Clear	90	140	592
L163QEC-TR	AlGalnP	Super Orange	Water Clear	70	140	630
L163QRC-TR	AlGalnP	Super Red	Water Clear	90	160	650
L163QAC-TR	AlGalnP	Super Amber	Water Clear	90	150	618
L163UYC-TR	AlGalnP	Super Yellow	Water Clear	450	950	591