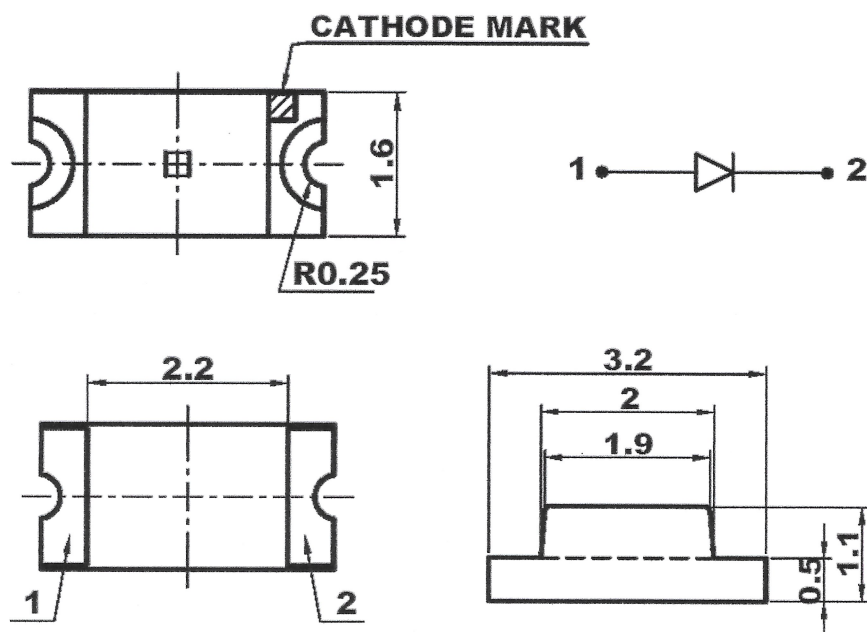


L150 Series: 3.2mm x 1.60mm x 1.10mm

Package Dimension :



Notes: Unit = mm [inch] , Tolerance = ± 0.25 mm [± 0.01 inch]

Part Number	Chip		Lens Type (Resin)	Iv (mcd) If = 20 mA		Ip (nm) Peak Wavelength
	Material	Emitted Color		Min.	Typ.	
L150GC-TR	GaP	Green	Water Clear	5	14	568
L150YC-TR	GaAsP	Yellow	Water Clear	5	12	589
L150EC-TR	GaAsP	Orange	Water Clear	5	12	630
L150SRC-TR	AlGaAs	Red	Water Clear	18	40	660
L150BC-TR	SiC	Blue	Water Clear	5	12	430
L150MBC-TR	SiC	Bright Blue	Water Clear	13	26	468
L150QBC-TR	GaN	Super Blue	Water Clear	25	40	-
L150QGC-TR	AlGaInP	Super Green	Water Clear	35	65	574
L150QYC-TR	AlGaInP	Super Yellow	Water Clear	30	70	592
L150QEC-TR	AlGaInP	Super Orange	Water Clear	30	75	630
L150QRC-TR	AlGaInP	Super Red	Water Clear	30	70	650
L150QAC-TR	AlGaInP	Super Amber	Water Clear	35	70	618
L150QYGC-TR	AlGaInP	Super Green	Water Clear	50	90	574
L150UPGC-TR	InGaN	Super Green	Water Clear	135	200	523
L150UYC-TR	AlGaInP	Super Yellow	Water Clear	90	135	591
L150URC-TR	AlGaInP	Super Red	Water Clear	70	135	650
L150UEC-TR	AlGaInP	Super Orange	Water Clear	90	135	632
L150UAC-TR	AlGaInP	Super Amber	Water Clear	70	165	618