

ADVANCED

MICRO

LITES, INC.

630-365-5450 tel  
fax 630-365-5456

205 N. Dempsey  
Elburn, IL 60119  
1-800-542-1374

# 945VEC

HIGH POWER LED LAMP -WATER

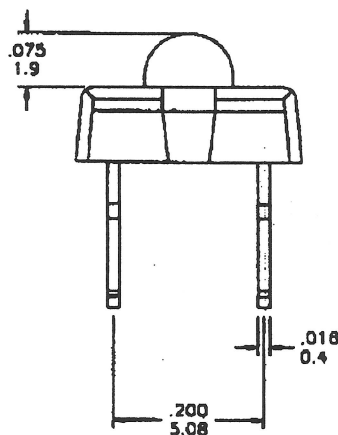
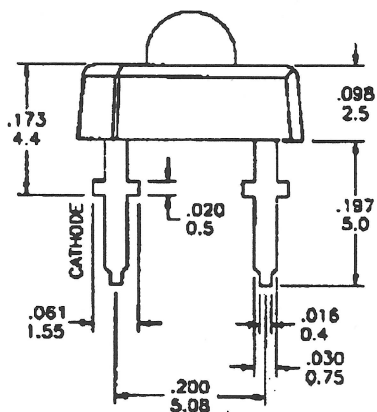
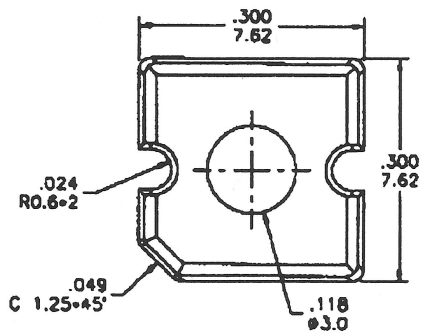
CLEAR

(AlInGaP)

### MAIN FEATURES

- High flux output
- Wide viewing angle
- Low thermal resistance
- High power consumption

### PACKAGE DIMENSIONS



### SELECTION GUIDE AND APPLICATION INFORMATION ( RATINGS AT 25 AMBIENT )

Part No.	Chip		Lens Color	Wave Length	Absolute Maximum Ratings				Electro-Optical Characteristics					View Angle	
	Raw	Emitted			Pd	If	If	Vf(V)	If	Iv (mcd)					
	Material	Color								p(nm)	nm	mW	MA		(Peak)
L945VEC-65D	AlInGaP	Red	Water Clear	630		150	70	150		2.2	2.5	20-40	800	1300	65

#### ABSOLUTE MAXIMUM RATING: (Ta=25)

Reverse Voltage	: 5 Volt
Reverse Current( Vr = 5V )	: 100µA
Operating Temperature Range	: -20 to +80
Storage Temperature Range	: -40 to +100
Lead Soldering Temperature	: 260 for 5 Seconds
(1.6mm(1/16inch) from body)	

#### ELECTRO-OPTICAL CHARACTERISTICS: (Ta=25)

Para meter Description	Symbol	Unit
Spectral Line half-Width		nm
Power Dissipation	Pd	mW
Peak Forward Current (Duty 1/10,@KHz)	If(Peak)	mA
Recommended Operation Current	If(Rec)	mA
Average Luminous intensity (If = 20mA)	Iv	mcd